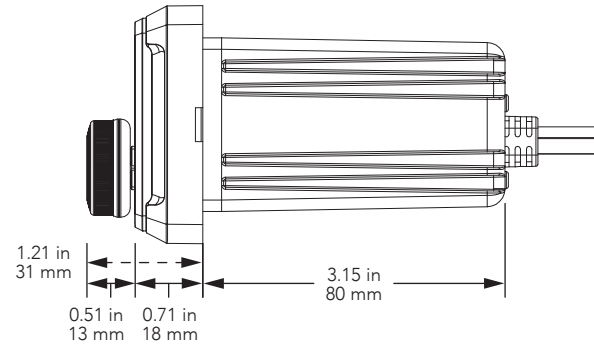
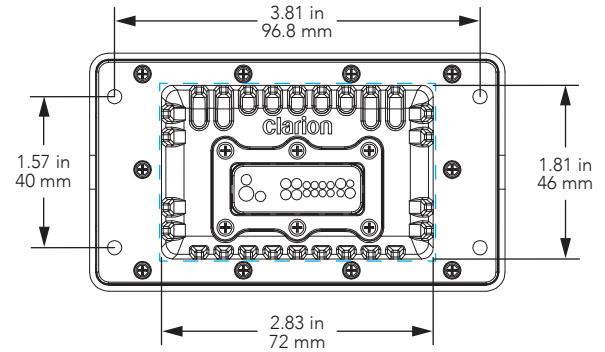
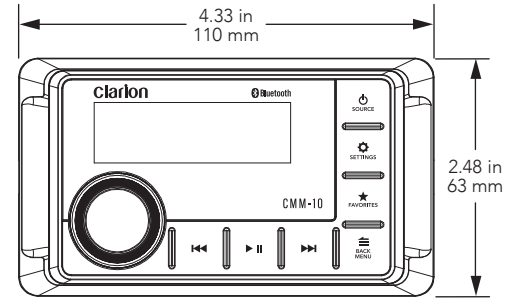
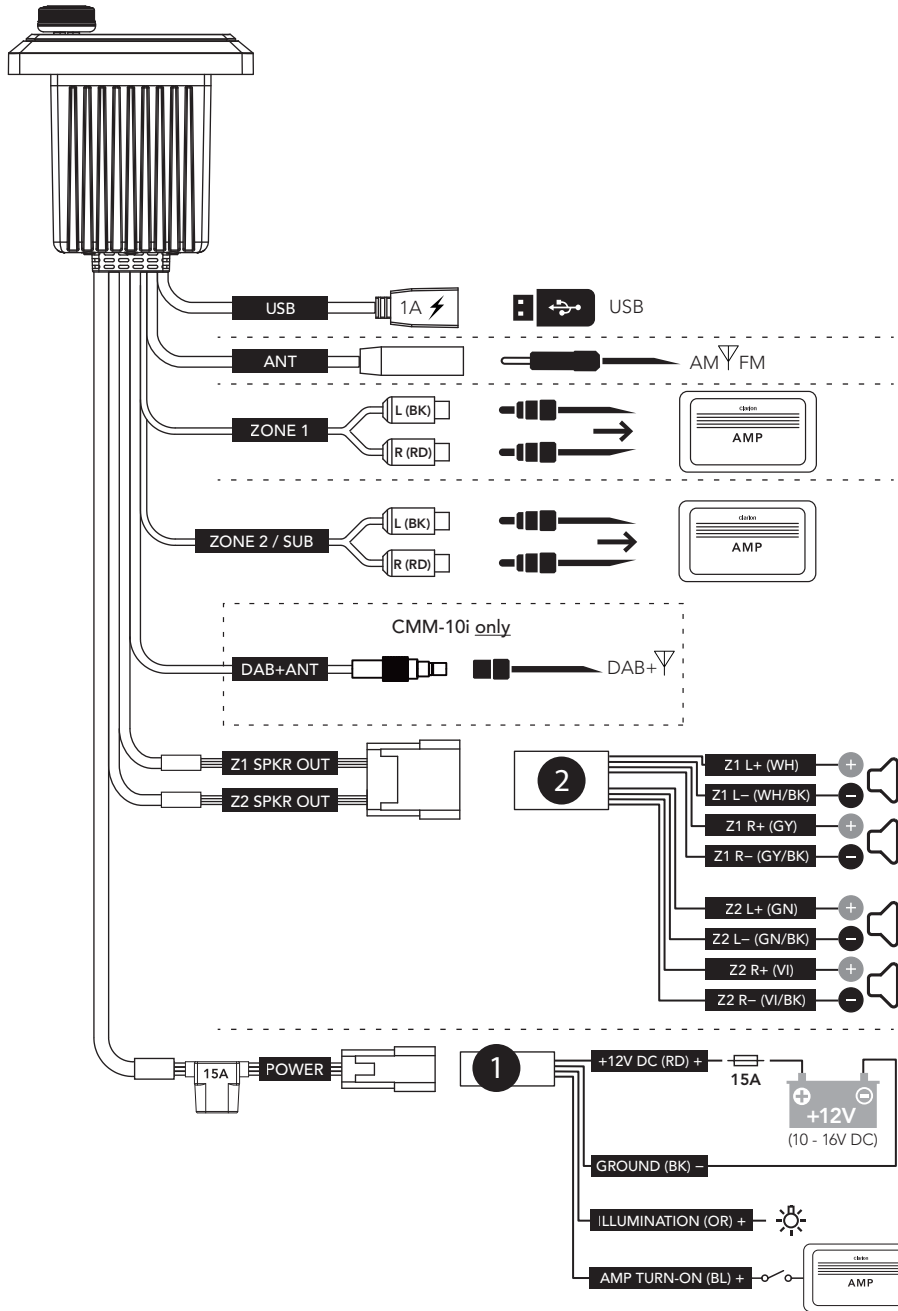


Clarion®



CMM-10/10i

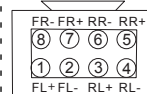


1 DT06-42 (plug)



PINOUT	COLOUR	LABEL
1	RED	+12VDC
2	BLUE	AMP TURN-ON
3	ORANGE	ILLUMINATION
4	BLACK	GROUND

2 DT04-08PA (receptacle)



PINOUT	COLOUR	LABEL
1	White	FL+
2	White/Black	FL-
7	Grey	FR+
8	Grey/Black	FR-
3	Green	RL+
4	Green/Black	RL-
5	Purple	RR+
6	Purple/Black	RR-